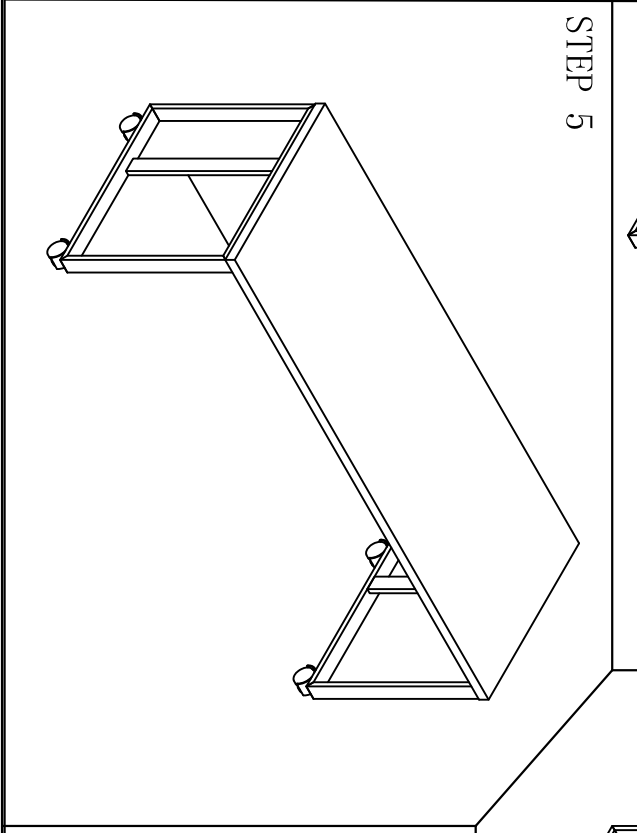
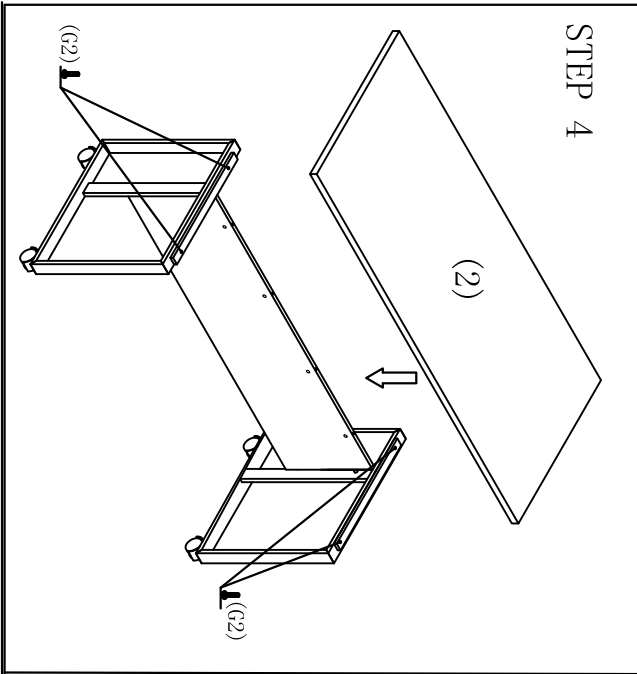
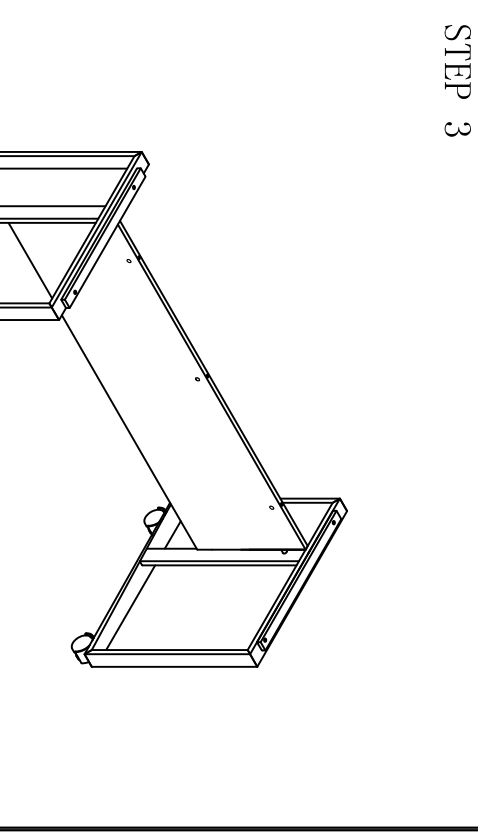
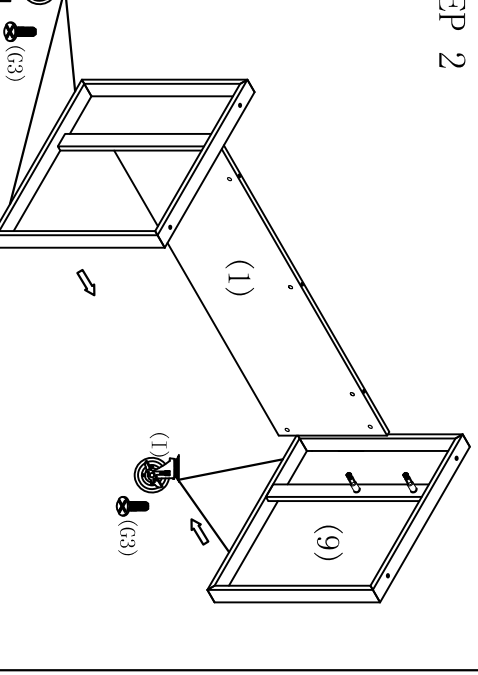
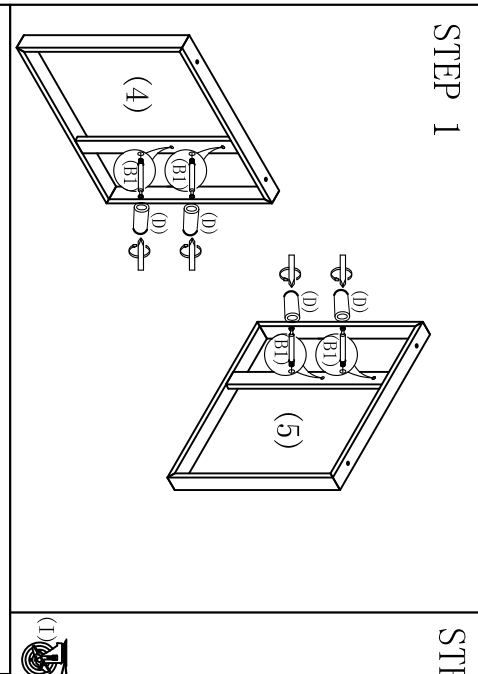


(1) Table top 1PC	(2) Top 1PC	(3) Baseboard 2PCS	(4) Leg-L 8+1PCS	(5) Leg-R 1PC	
(B1) Cam Pin-60 4PCS	(D) Steel column 4PCS	(G2) Screw-50 4PCS	(G3) Screw-12 16PCS	(C) Cam Lock 8+1PCS	(B) Cam Pin-40 4PCS
					(I) Wheel 4PCS



2000*750*820

ES-LOFT5

Always lay components on A clean, soft-cushioned surface during assembly.