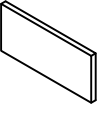
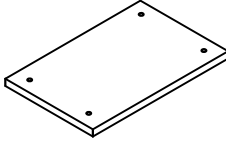
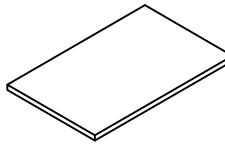
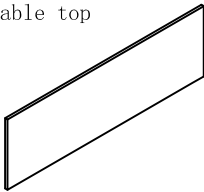
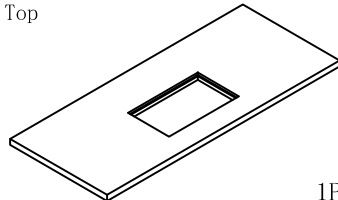
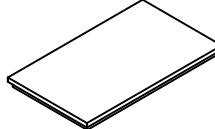

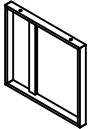
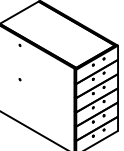
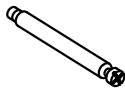
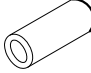



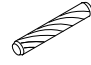

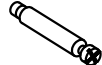



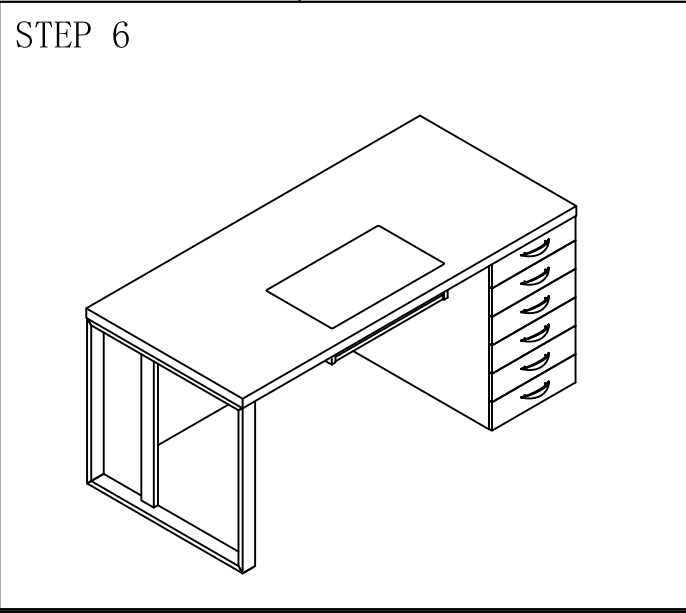
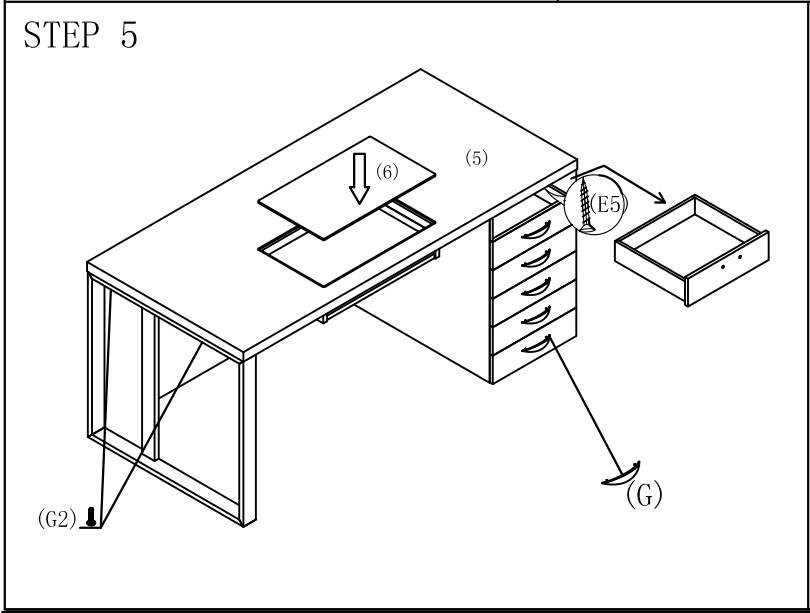
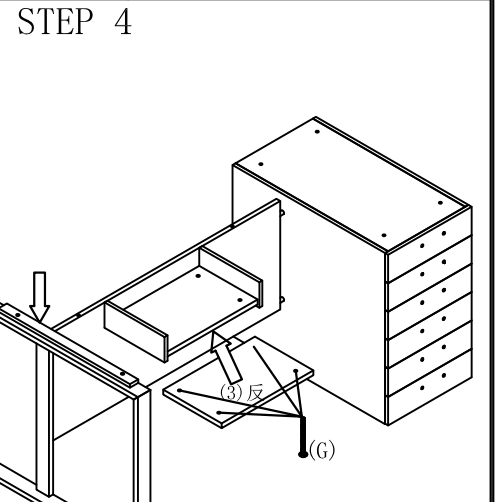
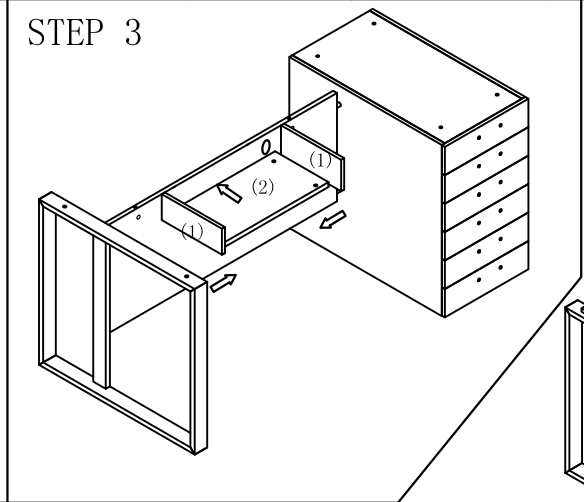
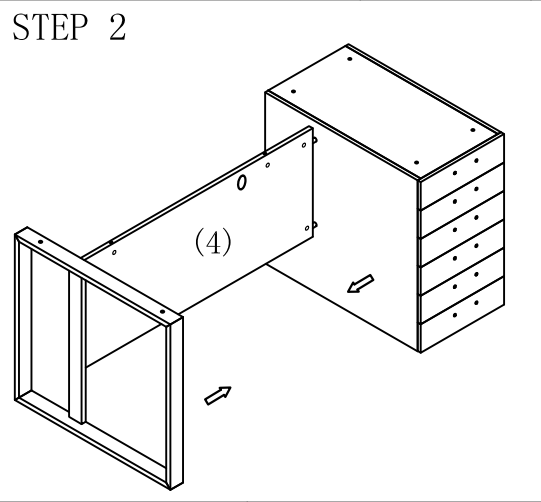
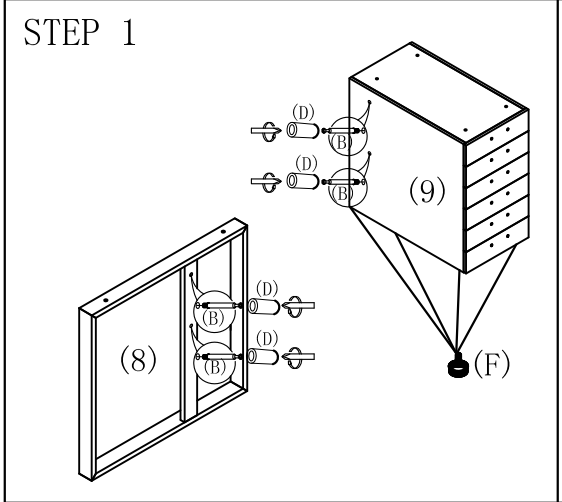


| | | | | | | | | | | | |
|---|--|---|--|---|--|---|--|--|---|---|--|
| (1) Side board  2PCS | (2) Fixed board  1PC | (3) Moveable board  1PC | (4) Table top  1PC | (5) Top  1PC | (6) Top cover  1PC | (7) Baseboard  1PC | (8) Leg  1PC | | | | |
| (9) M-BSC-05-2  1PC | (B1) Cam Pin-60  4PCS | (D) Steel column  4PCS | (P) Adhesive Cam Cover  20PCS | (G) Screw-60  4PCS | (G2) Screw-50  2PCS | (A) Dowel  8PCS | (C) Cam Lock  20PCS | (B) Cam Pin-40  16PCS | (G) Handle  6PCS | (E5) Wood Screw 4*30  4PCS | (F) Balance Leg  4PCS |



1600*750*757

ES-LOFT2

Always lay components on A clean, soft-cushioned surface during assembly.