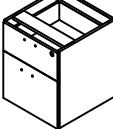
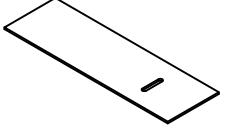
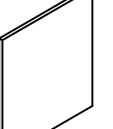
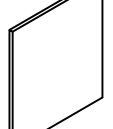
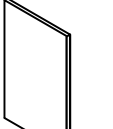
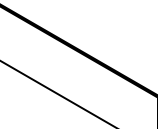
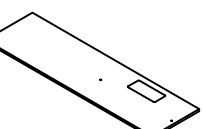
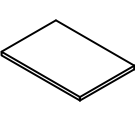
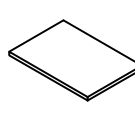
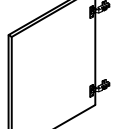
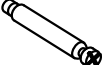



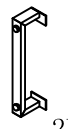





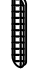


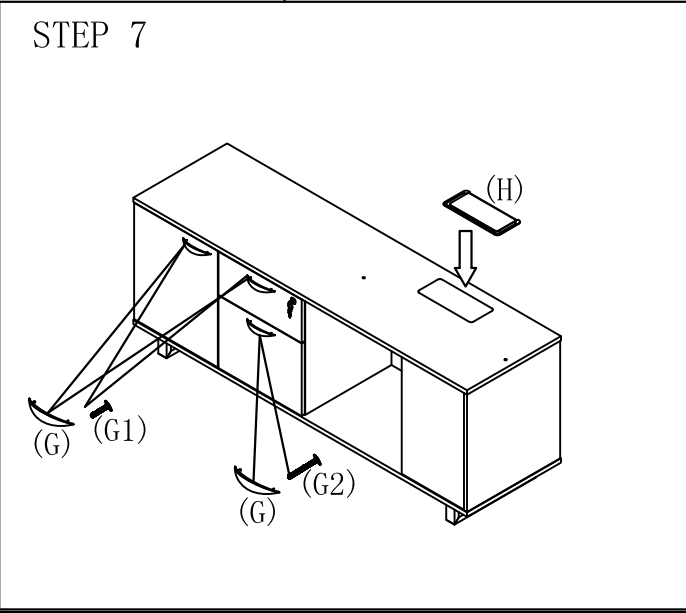
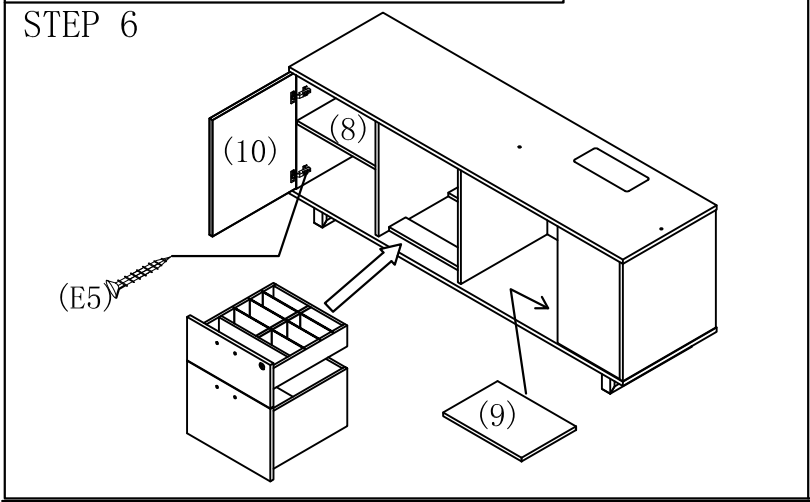
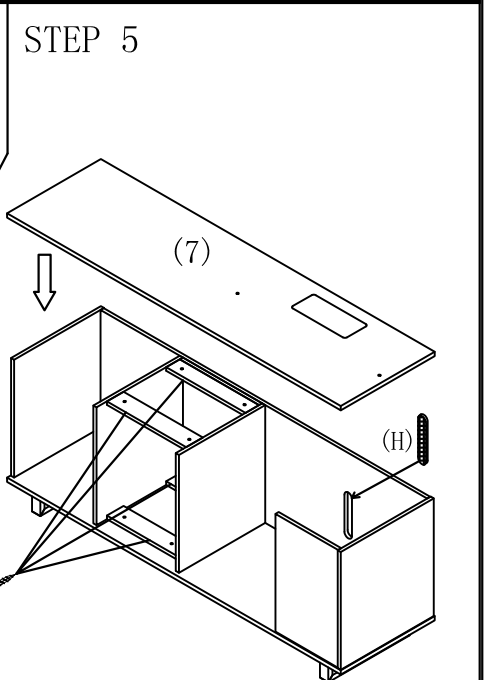
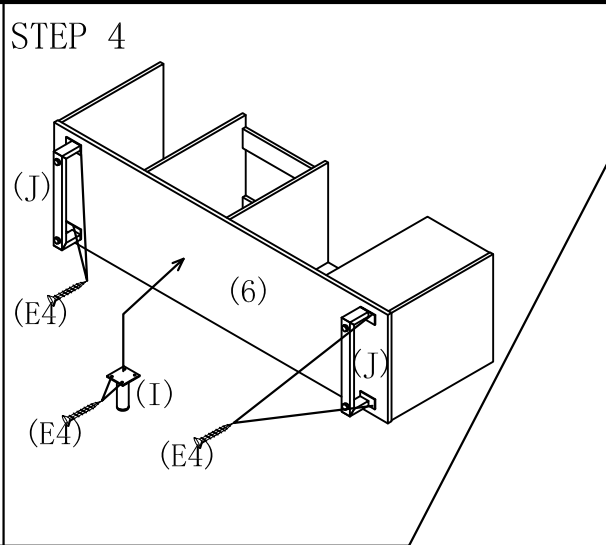
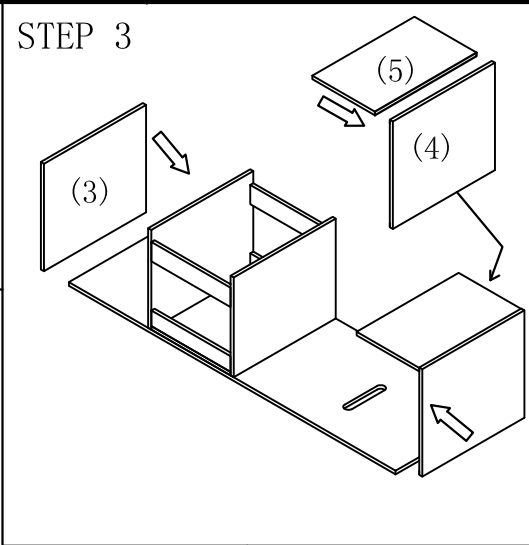
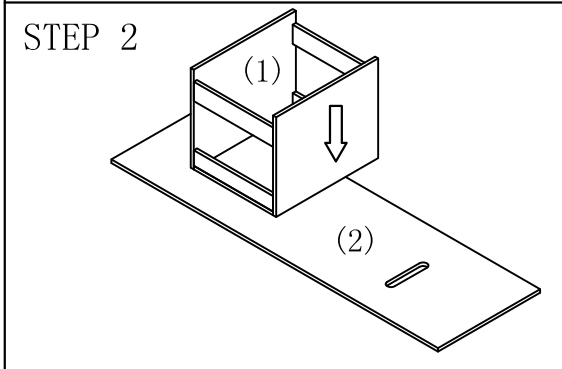
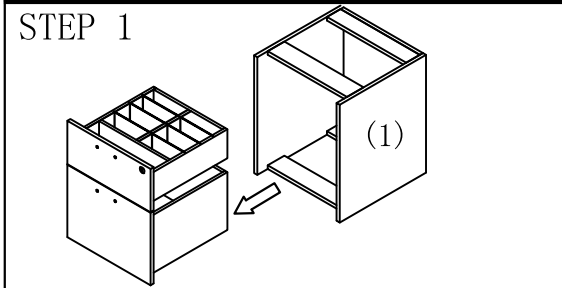


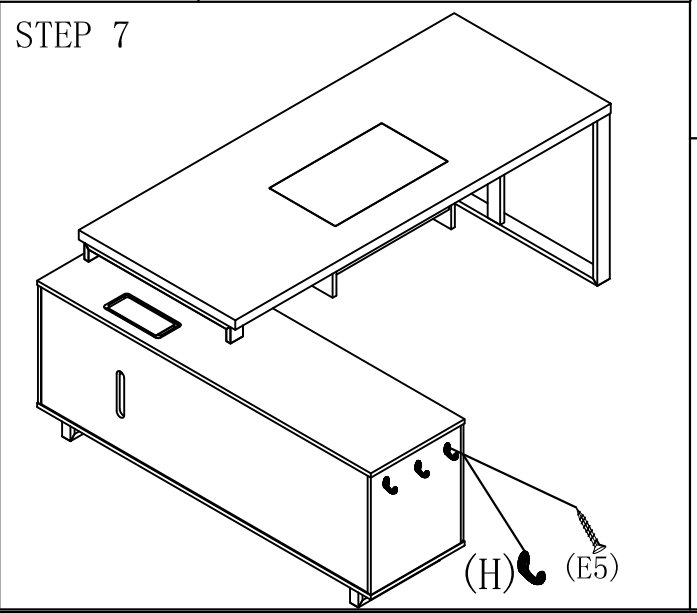
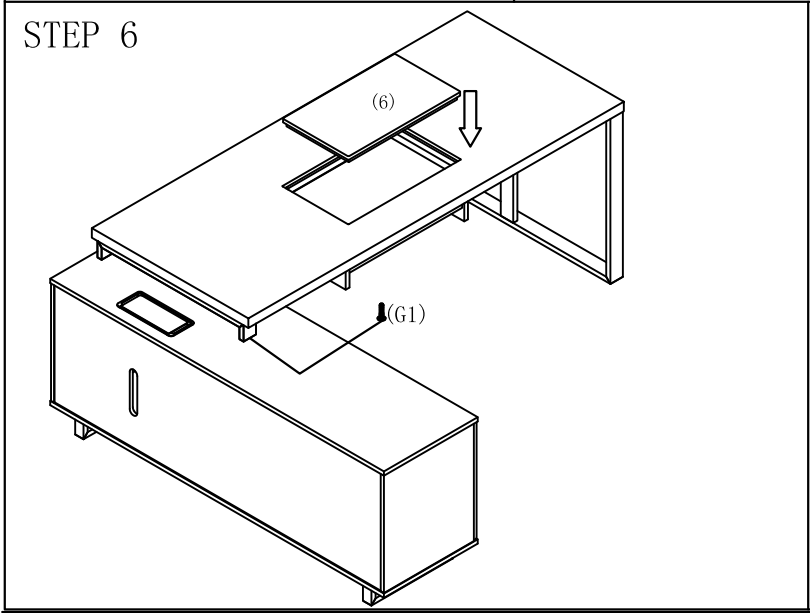
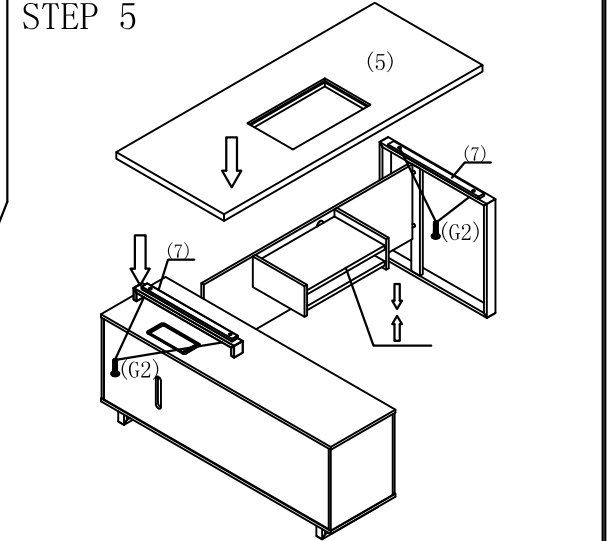
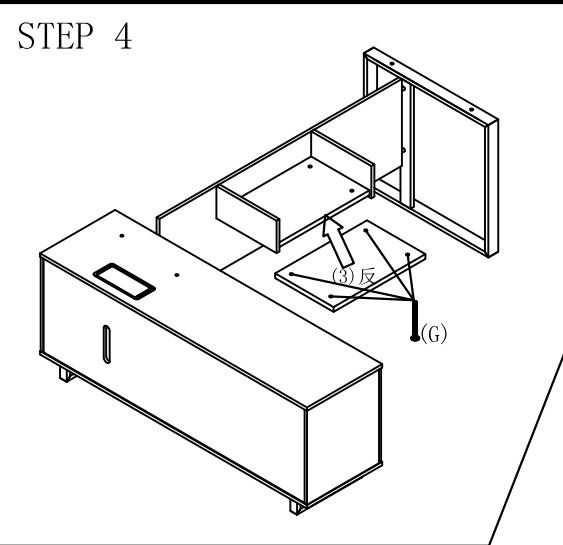
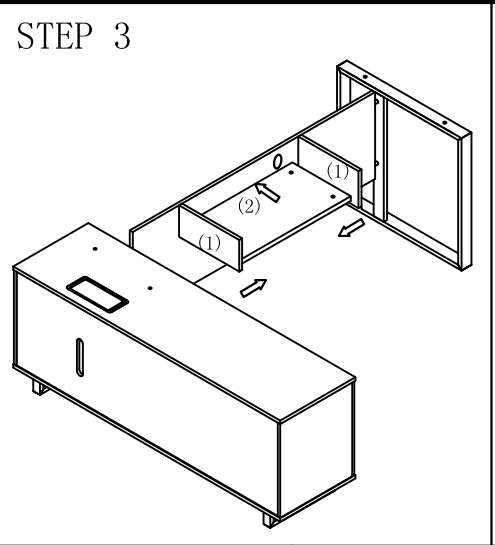
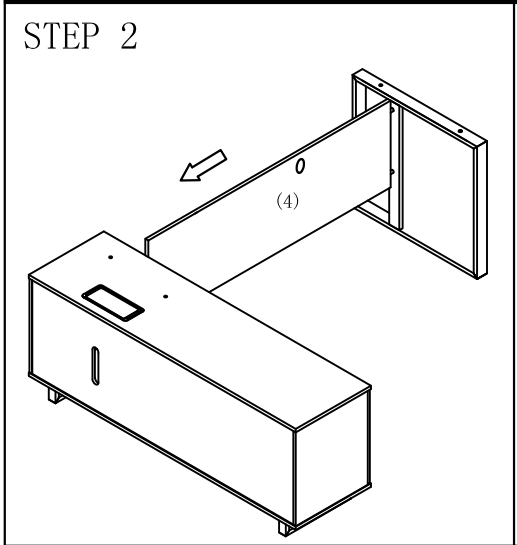
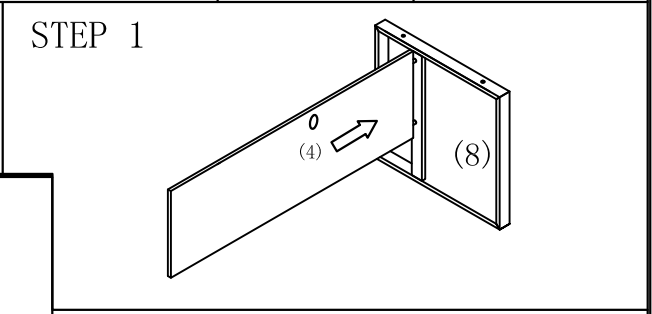
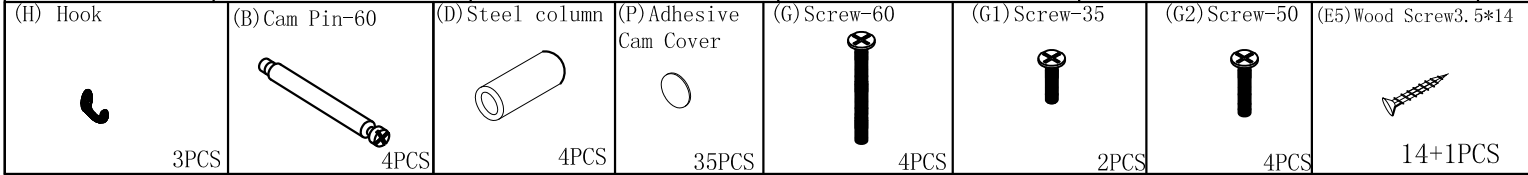
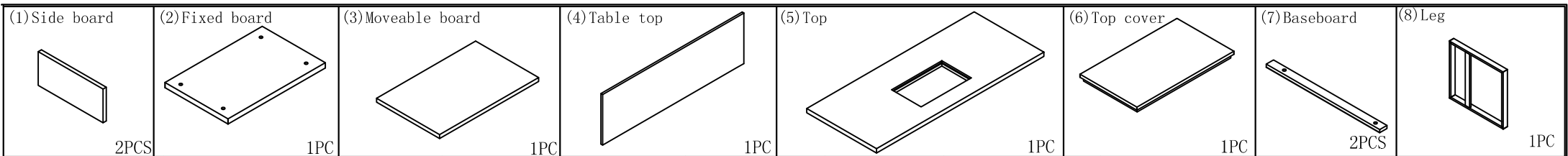
(1) Drawer  1PC	(2) Backboard  1PC	(3) Leftboard  1PC	(4) Rightboard  1PC	(5) Head board  1PC	(6) Baseboard  1PC	(7) Top panel  1PC	(8) Left moveable shelf  1PC	(9) Right moveable shelf  1PC	(10) Door  1PC			
(B) Cam Pin  43+1PCS	(A) Dowel  34PCS	(C) Cam Lock  47+1PCS	(I) Middle leg  1PC	(J) Side leg  2PCS	(E4) Wood Screw  16+1PCS	(G1) 4*20  4PCS	(G2) 4*35  2PCS	(G) Handle  3PCS	(E6) Wood Screw 4*25  12+1PCS	(H) Condenser  1PC	(I) Cable cover  1PC	(J) Shelf screw  8PCS



1800*1600*757

ES-LOFT1-1

Always lay components on A clean, soft-cushioned surface during assembly.



1800*1600*757

ES-LOFT1-2

Always lay components on A clean, soft-cushioned surface during assembly.